

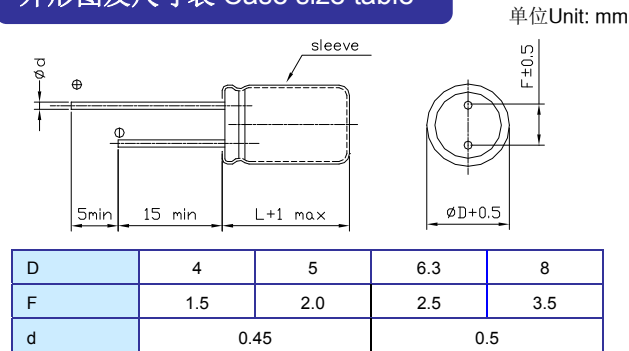
NS 双极性品

- 7mm 高度，双极性 7mmL, Bi-Polarized
- 适用于信号耦合等极性需反转变换电路 Used in circuits what polarity is reversed, such as signal coupling, etc.
- ROHS 指令已对应完毕。Adapted to the ROHS directive.

主要技术性能 Specifications

项目 Item	特性 Performance Characteristics																								
使用温度范围 Operating temperature range	-40 ~ +85℃																								
额定电压范围 Rated voltage range	6.3 ~ 63V																								
标称电容量范围 Nominal capacitance range	0.1 ~ 100μF																								
标称电容量允许偏差 Capacitance tolerance	±20% (120Hz, +20℃)																								
正反漏电流 Leakage current	I ≤ 0.05CV or 10(μA) 2分钟 (at 20℃, after 2 minutes) 取较大者 (whichever is greater)																								
损耗角正切值 (tg δ) Dissipation factor (+20℃, 120Hz)	<table border="1"> <thead> <tr> <th>U_R (V)</th> <th>6.3</th> <th>10</th> <th>16</th> <th>25</th> <th>35</th> <th>50</th> <th>63</th> </tr> </thead> <tbody> <tr> <td>tg δ</td> <td>0.26</td> <td>0.22</td> <td>0.20</td> <td>0.18</td> <td>0.16</td> <td>0.14</td> <td>0.12</td> </tr> </tbody> </table>	U _R (V)	6.3	10	16	25	35	50	63	tg δ	0.26	0.22	0.20	0.18	0.16	0.14	0.12								
U _R (V)	6.3	10	16	25	35	50	63																		
tg δ	0.26	0.22	0.20	0.18	0.16	0.14	0.12																		
温度特性 Temperature characteristics (Impedance ratio at 120Hz)	<table border="1"> <thead> <tr> <th>U_R (V)</th> <th>6.3</th> <th>10</th> <th>16</th> <th>25</th> <th>35</th> <th>50</th> <th>63</th> </tr> </thead> <tbody> <tr> <td>Z-25℃ / +20℃</td> <td>4</td> <td>3</td> <td>2</td> <td>2</td> <td>2</td> <td>2</td> <td>2</td> </tr> <tr> <td>Z-40℃ / +20℃</td> <td>8</td> <td>6</td> <td>4</td> <td>4</td> <td>3</td> <td>3</td> <td>3</td> </tr> </tbody> </table>	U _R (V)	6.3	10	16	25	35	50	63	Z-25℃ / +20℃	4	3	2	2	2	2	2	Z-40℃ / +20℃	8	6	4	4	3	3	3
U _R (V)	6.3	10	16	25	35	50	63																		
Z-25℃ / +20℃	4	3	2	2	2	2	2																		
Z-40℃ / +20℃	8	6	4	4	3	3	3																		
耐久性 Load life	+85℃加额定电压 1000 小时 (每 250 小时反转极性一次) 恢复 16 小时后: After applying rated voltage for 1000 hours at +85℃ (with the polarity inverted every 250 hours) and then resumed 16 hours: 电容量变化率 Capacitance change : ±25% 初始测量值以内 Initial measured value 漏 电 流 Leakage current : ≤ 初始规定值 Initial specified value 损耗角正切值 Dissipation factor : ≤ 2 倍初始规定值 2times Initial specified value																								
高温贮存 Shelf life	+85℃, 1000 小时贮存后, 恢复 16 小时后: After storage for 1000 hours at +85℃ and then resumed 16 hours 电容量变化率 Capacitance change : ±25% 初始测量值以内 Initial measured value 漏 电 流 Leakage current : ≤ 2 倍初始规定值 2times Initial specified value 损耗角正切值 Dissipation factor : ≤ 2 倍初始规定值 2times Initial specified value																								

外形图及尺寸表 Case size table



频率修正系数 Frequency coefficient

F (Hz)	60	120	1K	≥10k
CAP (μF)				
0.1~68	0.8	1	1.45	1.7
100	0.8	1	1.35	1.5

尺寸 DIMENSIONS

CAP (μF)	WV	6.3V(0J)		10V(1A)		16V(1C)		25V(1E)		35V(1V)		50V(1H)		63V(1J)	
		Size	Ripple	Size	Ripple	Size	Ripple	Size	Ripple	Size	Ripple	Size	Ripple	Size	Ripple
0.1	0R1											4x7	0.8		
0.22	R22											4x7	2.0		
0.33	R33											4x7	3.0		
0.47	R47											4x7	4.0		
1	010											4x7	8.5	4x7	11
2.2	2R2											4x7	14	5x7	18
3.3	3R3							4x7	13	4x7	16	5x7	19	6.3x7	23
4.7	4R7					4x7	16	5x7	18	5x7	22	6.3x7	25	8x7	28
10	100			4x7	21	5x7	26	6.3x7	29	6.3x7	32	8x7	40		
22	220	4x7	29	4x7	33	6.3x7	39	6.3x7	43	8x7	48				
33	330	5x7	37	5x7	45	6.3x7	48	8x7	53						
47	470	6.3x7	48	5x7	53	8x7	63								
100	101	8x7	75	6.3x7	82										

Size φD × L (mm)

Maximum Allowable Ripple Current (mA rms) at 85℃ 120Hz